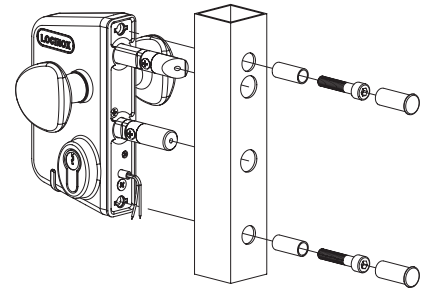


LOCINOX[®]

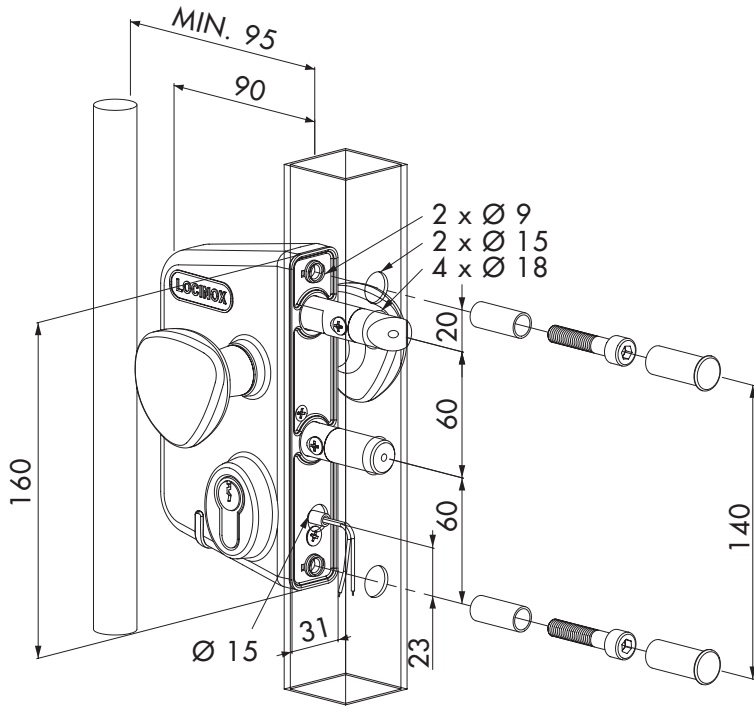
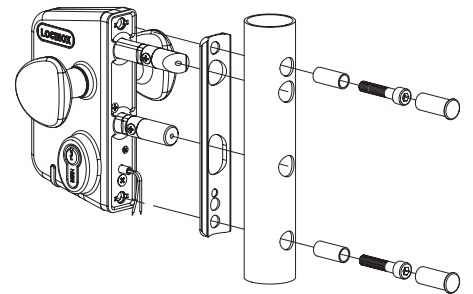
WWW.LOCINOX.COM

CODE: LEKQ-U4

Tube mount application

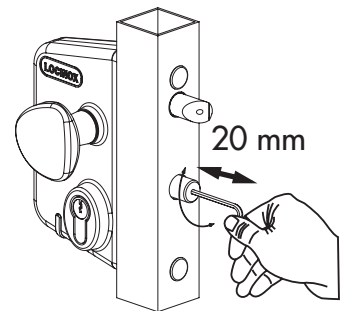
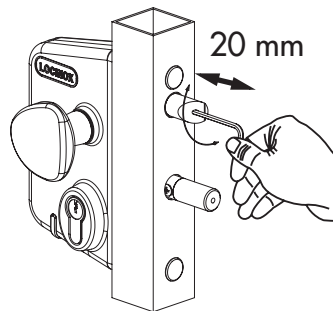
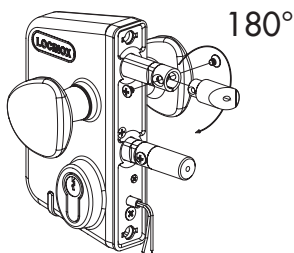


Round mount application



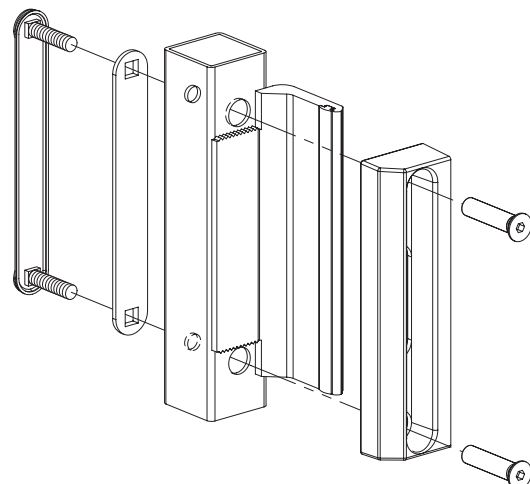
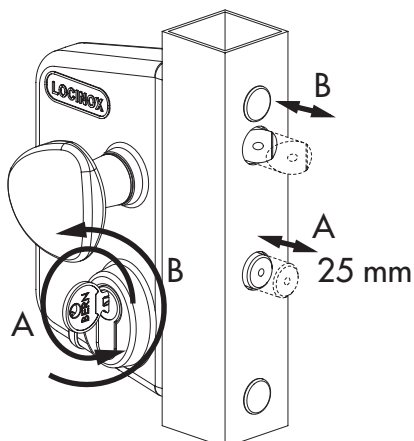
Left / Right

Bolt adjustment 20 mm



Key operated (B) & Throw (A)

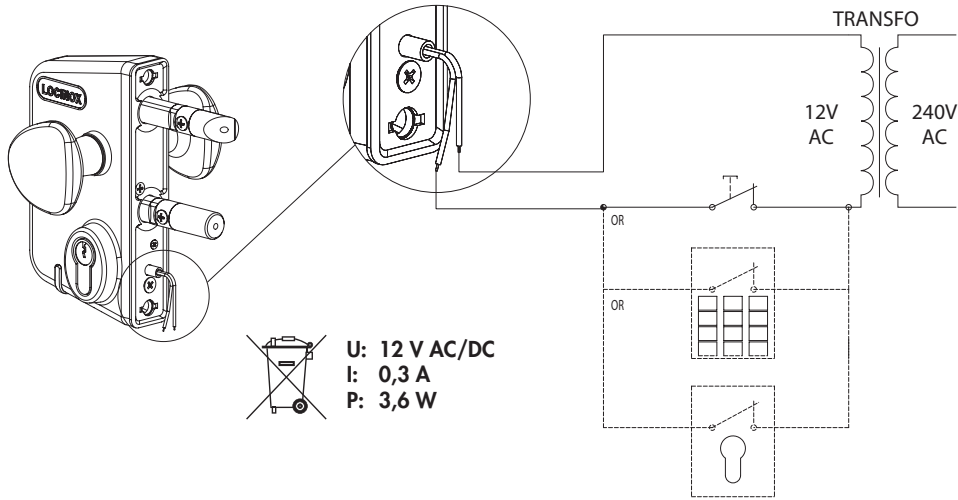
Keeper installation drawing



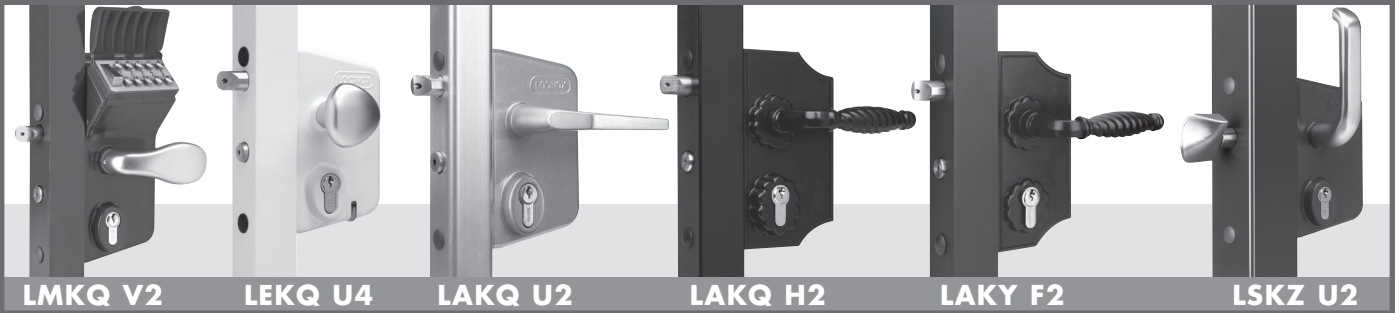
LOCINOX®

WWW.LOCINOX.COM

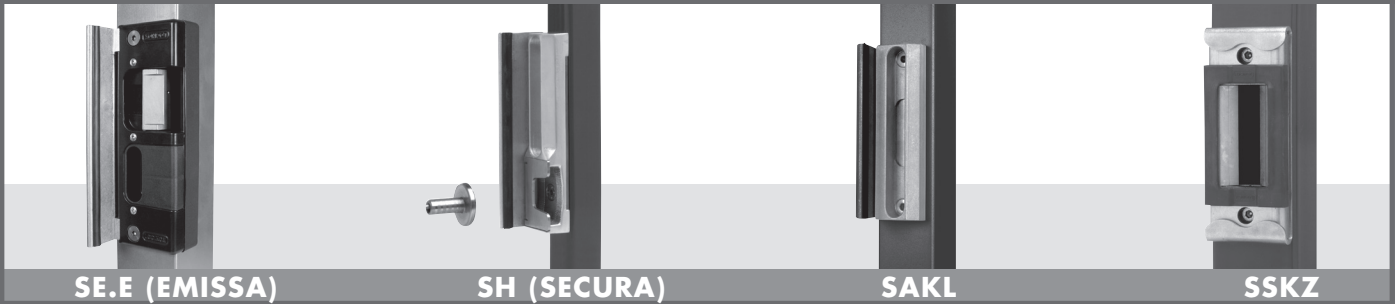
Connecting - Raccordement - Aansluiting - Anschließen



SLOTEN - LOCKS - CERRADURAS - SERRURES



SLOTVANGERS - KEEPERS - CERRADEROS - GÂCHES



KRUKKEN - HANDLES - MANILLAS - POIGNÉES



LOCINOX®
WWW.LOCINOX.COM

Doc. Nr.: MANU-000057



Locinox nv • Mannebeekstraat 21 • B-8790 Waregem • Belgium - Europe
Tel. +32 (0)56 77 27 66 • Fax. +32 (0)56 77 69 26 • E-mail: locinox@locinox.com

* M A N U - 0 0 0 0 5 7 *